

**Clean break  
couplings**

**Series CN**



# Clean break couplings series CN

## Description:

The squirt free clean break couplings of the CN series are mainly used in loading stations of trucks, or trains for chemical liquids. Other uses are possible as well for example liquid food processing etc.

A big advantage is the ability to connect and disconnect long hose lines which are under pressure (up to 5 bar) without squirting medium.

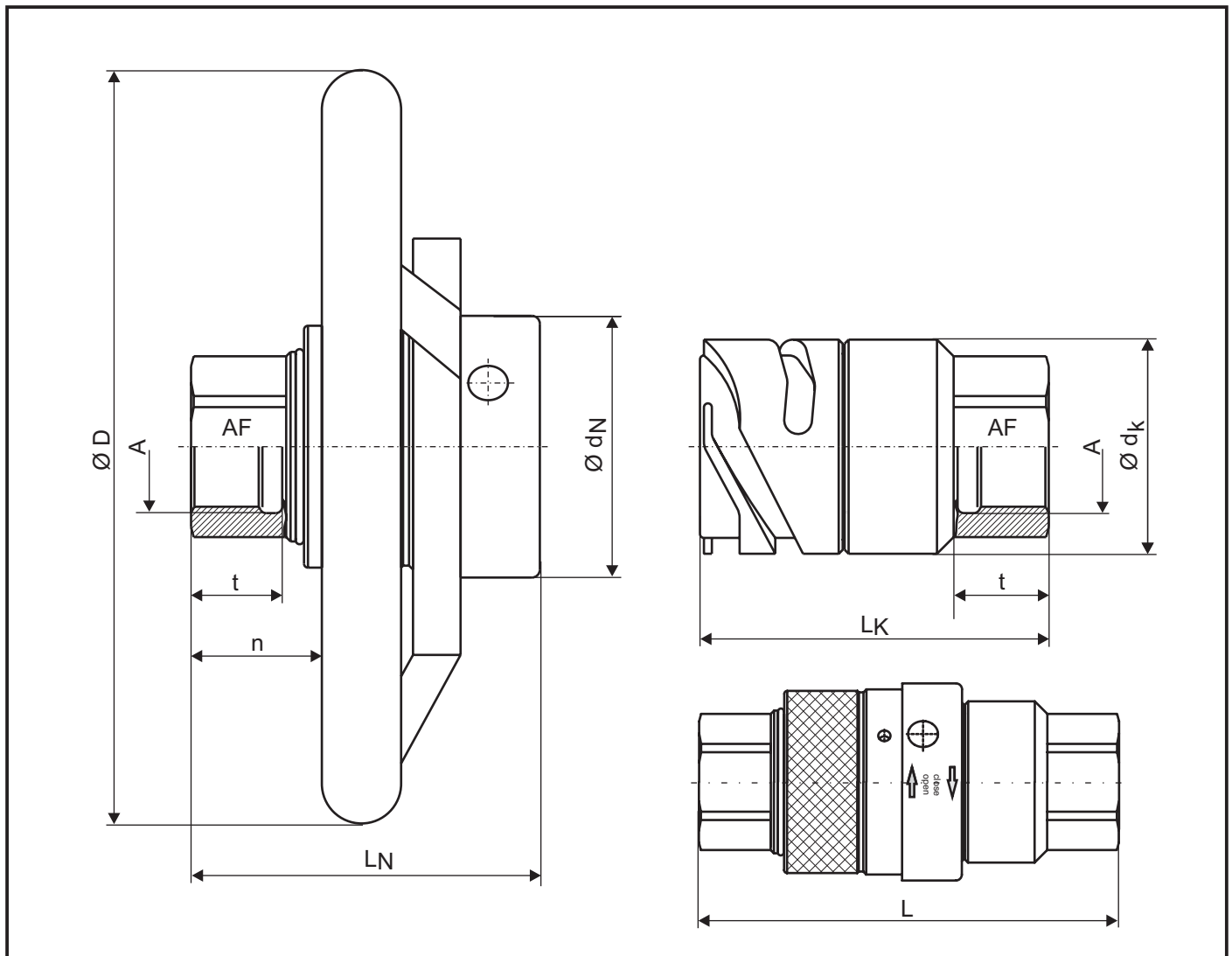
In case of limited space the type CN-025 can also be offered without the handwheel. This type produces only very small connection forces. A hook spanner can be used as well.

## Features:

- Clean break coupling with bayonet cam action
- Squirt free operation
- Connects under residual pressures
- Small outer dimensions
- Very good flow rates

## Technical values:

- Materials: stainless steel 1.4404 or 1.4571 (AISI 316L / 316 ti) other materials on request
- Seals: standard elastomers like NBR, FPM, EPDM or FFPM
- Working temperature:  $-10^{\circ}\text{C}$  ( $14^{\circ}\text{F}$ ) up to  $+150^{\circ}\text{C}$  ( $300^{\circ}\text{F}$ ) depending on seal quality



# Clean break couplings series CN

self-sealing coupling	Part number	L	LK	dK	t	A	AF	LN	dN	D	n
	1-CN-025-0-WR533-....*	141	88	54	23	G1	41	-	-	-	-
	1-CN-050-0-WR560-....*	205	124	94	29	G2	70	-	-	-	-
	1-CN-080-0-WR588-....*	231	143	124	37	G3	100	-	-	-	-
	1-CN-100-0-WR613-....*	260	164	144	43	G4	120	-	-	-	-
self-sealing adaptor	1-CN-025-2-WR533-....GG*	141	-	-	23	G1	41	88	66	190	33
	1-CN-025-2-WR533-....* (without handwheel)	141	-	-	23	G1	41	88	66	-	33
	1-CN-050-2-WR560-....GG*	221	-	-	29	G2	70	133	110	220	37
	1-CN-080-2-WR588-....RG*	231	-	-	37	G3	100	148	144	265	73
	1-CN-100-2-WR613-....RG*	260	-	-	43	G4	120	165	164	300	73

\* Code for seal qualities on request

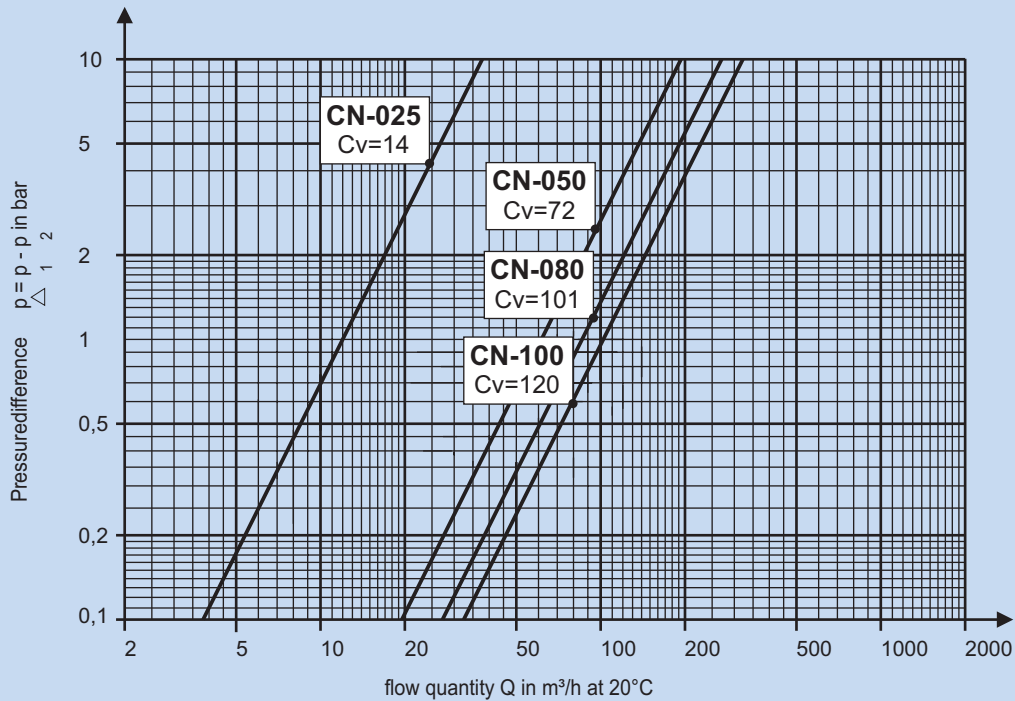
type	working pressure max. stat. [bar]			connectable under max. pressure difference of	Cv-value	volume loss per disconnection	weight[kg]	
	connected coupling/adaptor	connected coupling	connected adaptor				coupling	adaptor
CN-025	25	25	25	5 bar	14	0,4 ml	0,74	1,47
CN-050	25	25	25	3 bar	72	0,6 ml	2,57	4,41
CN-080	16	16	16	2 bar	101	1,3 ml	5,97	7,32
CN-100	10	5	5	1bar	120	2,3 ml	7,96	9,68



WALTHER-clean-break-couplings series CN;  
Nominal bores: 25, 50, 80 and 100 mm (shown with protection plugs)

# Clean break couplings series CN

Performance diagram for CN-025, CN-050, CN-080 und CN-100  
both sides sealing



## More clean-break couplings of WALTHER-PRÄZISION in chemical applications:



WALTHER- clean-break couplings series BF (nom. bore: 5, 9, 12, 25 und 50 mm)

### WALTHER-PRÄZISION Carl Kurt Walther GmbH & Co. KG

Head office:

Westfalenstraße 2  
42781 Haan, Germany

Telefon: +49 (0) 21 29 567-0  
Telefax: +49 (0) 21 29 567-450

Postal address:

Postfach 420444  
42404 Haan, Germany

eMail: [info@walther-praezision.de](mailto:info@walther-praezision.de)  
Internet: [www.walther-praezision.de](http://www.walther-praezision.de)

