

**Compressed Air
Safety
Couplings**

Large Nominal Sizes

**WALPRESTA-
SERIES**



Compressed Air Safety Couplings WALPRESTA LS-012, LS-023 and LS-038

Description:

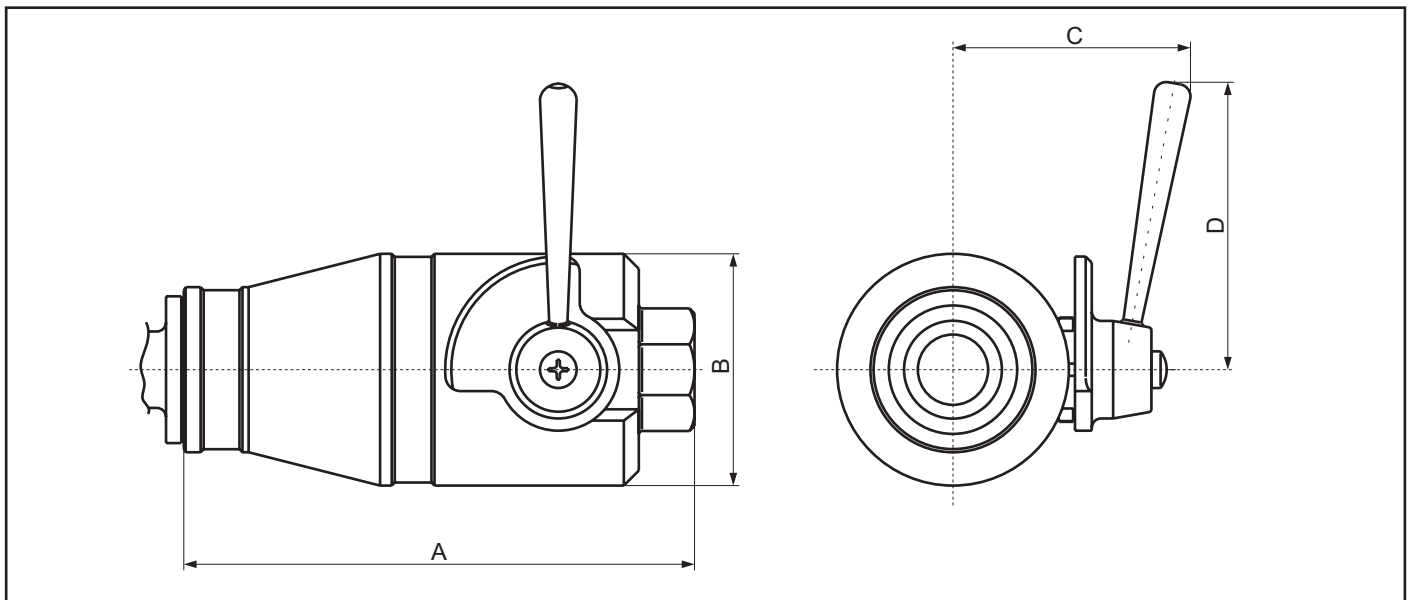
The safety series LS is the first coupling series to work pressure controlled.

It denies by a positive lock false operation. The dangerous whip effect is abandoned.

Complete disconnection is to possible after pressure was safely vented to less than 1,5 bar (22 psi).

Features:

- free passage when valves are opened
- extremely high flow rates with smallest flow resistance
- separation of the connection procedure from valve opening procedure.
As a consequence largebore couplings can be easily connected as the locking area is not pressurized.
- automatic lock (one hand operation)



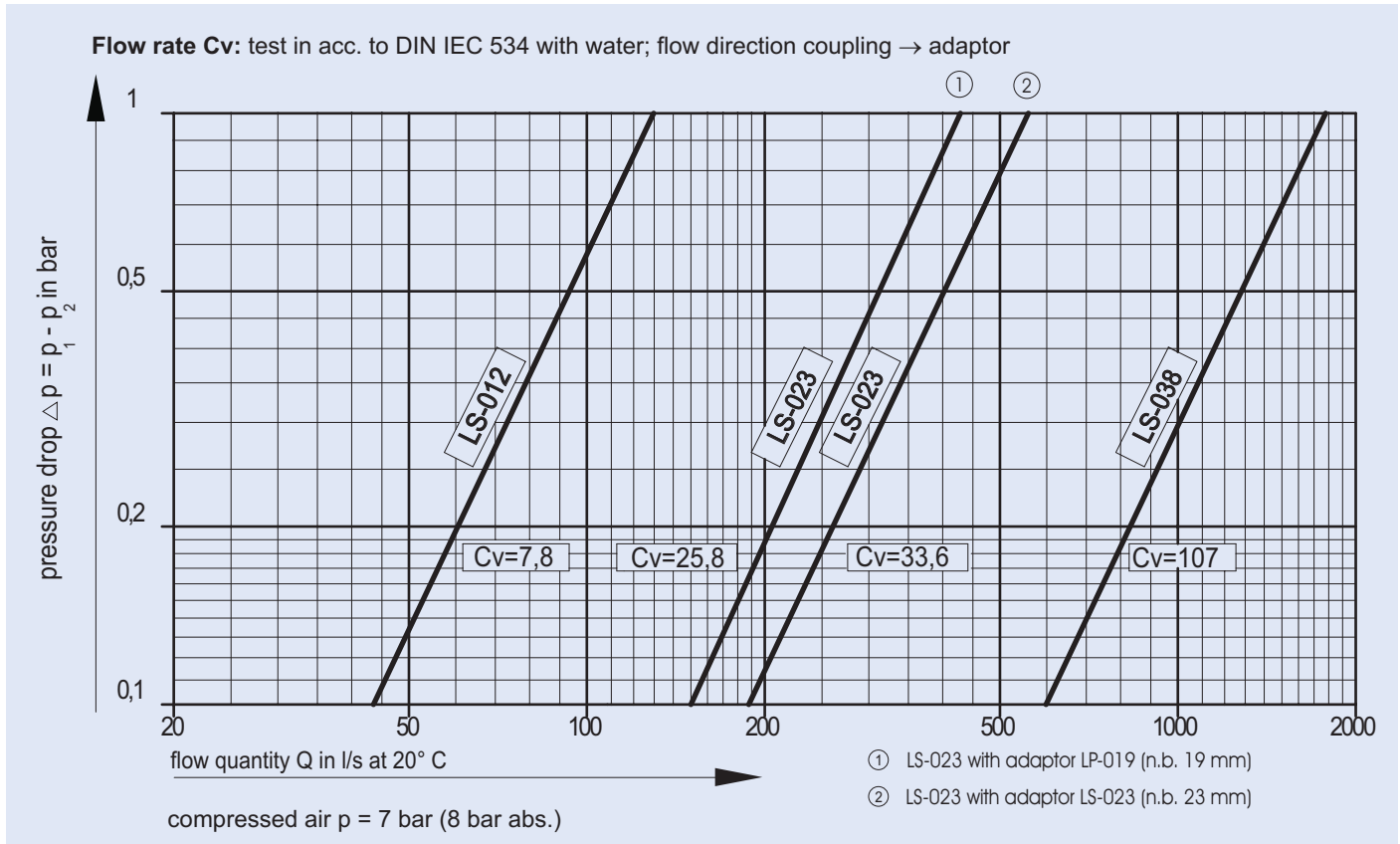
Coupling type	Main Dimensions				End connection (ISO 228-1)	Weight (kg)
	A	B	C	D		
LS-012	137 mm	53 mm	63 mm	94 mm	G 1/2"	ca. 1,0
LS-023	169 mm	76 mm	78 mm	94 mm	G 1"	ca. 2,2
LS-038	230 mm	105 mm	105 mm	119 mm	G 1 1/2"	ca. 5,9

	compatible with adaptor contour			
	LP-012	LP-019	LS-023	LS-038
LS-012	*			
LS-023		*	*	
LS-038				*

further adaptor contours on request

Compressed Air Safety Couplings WALPRESTA LS-012, LS-023 and LS-038

Performance Diagram for WALPRESTA LS-012, LS-023, LS-038



Materials:

Coupling housing: brass nickel plated
 Handle mechanism: brass nickel plated
 Locing sleeve: aluminium hardcoated
 Seals: NBR and PTFE

Technical Data:

Working pressure : 16 bar
 Nominal bores: DN 12, DN 23 und DN 38
 Working-temperature: $>0^{\circ}\text{C} - 80^{\circ}\text{C}$

Max. flow with nominal ressure:

LS-012:	at Δp 0,3 bar: $Q_{\max} = 110 \text{ l/s} \cong 395 \text{ m}^3/\text{h}$
	at Δp 0,6 bar: $Q_{\max} = 155 \text{ l/s} \cong 550 \text{ m}^3/\text{h}$
LS-023: (with adaptor LP-019)	at Δp 0,3 bar: $Q_{\max} = 360 \text{ l/s} \cong 1300 \text{ m}^3/\text{h}$
	at Δp 0,6 bar: $Q_{\max} = 510 \text{ l/s} \cong 1830 \text{ m}^3/\text{h}$
LS-023: (with adaptor LS-023)	at Δp 0,3 bar: $Q_{\max} = 470 \text{ l/s} \cong 1700 \text{ m}^3/\text{h}$
	at Δp 0,6 bar: $Q_{\max} = 660 \text{ l/s} \cong 2380 \text{ m}^3/\text{h}$
LS-038:	at Δp 0,3 bar: $Q_{\max} = 1500 \text{ l/s} \cong 5400 \text{ m}^3/\text{h}$
	at Δp 0,6 bar: $Q_{\max} = 2110 \text{ l/s} \cong 7600 \text{ m}^3/\text{h}$

For each application the best suitable coupling

WALPRESTA LS-006, n.b. 7 mm, compressed air safety coupling for supply side



WALPRESTA LT-006, n.b. 7 mm, compressed air coupling for tool side

LP series, n.b. 2,5 up to 50 mm, all-purpose low pressure coupling



Compressed air spiral hoses (made of polyurethane)
hose lengths from 4,5 up to 10 m, from 6,5 up to 11 mm (inner diameter)

... and more than 30.000 other variations for all applications!



WALTHER-PRÄZISION • Wika rev. 09/2003 - subject to alterations

Carl Kurt Walther GmbH & Co. KG

Westfalenstraße 2

P.O. Box 420444

Tel. +49 (0) 21 29 / 5 67-0

Fax +49 (0) 21 29 / 5 67-450

D-42781 Haan

D-42404 Haan

E-Mail: info@walther-praezision.de

Internet: www.walther-praezision.de

